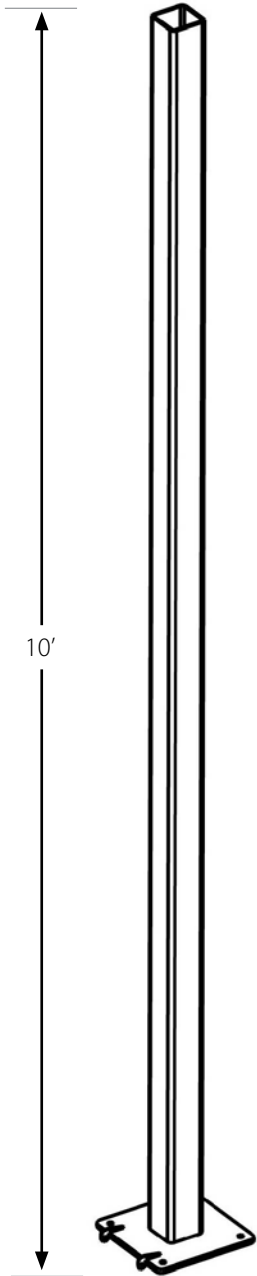




## VERSACOURT LED LIGHT SYSTEM INSTALLATION INSTRUCTIONS

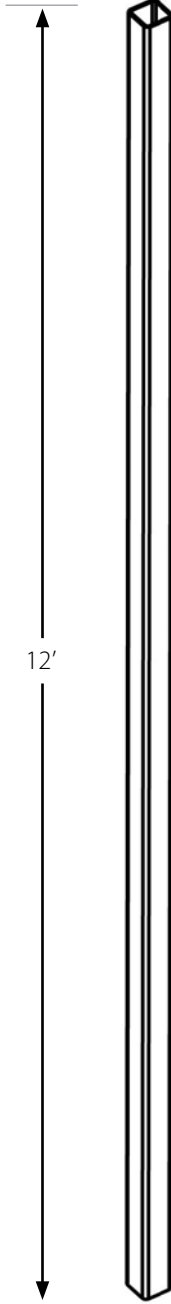


**PART LIST**



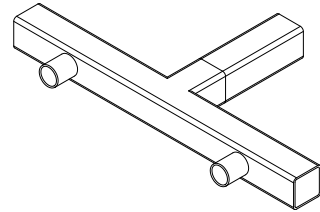
10'

**BASE POLE**



12'

**EXTENSION POLE**



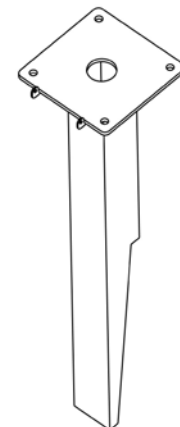
**TEE BAR ASSEMBLY**



**LIGHT ASSEMBLY**  
(hardware included)



**EXTENSION COLLAR**



**ANCHOR**









## REQUIRED TOOLS AND MATERIALS

- |                 |                                       |                              |
|-----------------|---------------------------------------|------------------------------|
| 1. Spade        | 6. Auger or Post Hole Digger          | 10. Hammer                   |
| 2. Shovel       | 7. Water                              | 11. Wrenches - Various Sizes |
| 3. Wheelbarrow  | 8. 10-14, 60 Lb. or                   | 12. Tape measure             |
| 4. Level        | 8-11, 80 lb. Bags of Dry Concrete Mix |                              |
| 5. Tape Measure | 9. Allen Wrenches - Various Sizes     |                              |

## GROUND ANCHOR INSTALLATION

### BEFORE YOU BEGIN

Contacting buried utilities may cause serious injury or death. Before you start digging, always contact your local One-Call system to help prevent personal injury, interruption of services, environmental accidents or job delays. Electric lines can shock or electrocute. Gas lines can rupture causing explosion or fire. Laser light in fiber optic cable can cause blindness. One-Call will notify participating utility companies of your proposed project. If you do not know the number for the local One-Call digging in your area, call the National One-Call at 1-888-258-0808 for this information. After being notified, utility companies will mark their underground facilities by using the following international marking codes:

	COLOR	DEFINITION
	RED	ELECTRIC
	YELLOW	GAS, OIL, PETROLEUM
	ORANGE	COMMUNICATION, TELEPHONE, TV
	BLUE	POTABLE WATER
 	GREEN/BROWN	SEWER
	WHITE	PROPOSED EXCAVATION
	PINK	SURVEYING

**Use the following guidelines when installing ground anchor into a hard-surfaced area:** (See Image 2)

- Top of ground anchor to be 1-1/2" above the playing surface
- Top of ground anchor must be level in both directions across the mounting surface
- Anchor must be positioned with the hinge side of anchor toward area to be lighted or positioned as indicated on the concrete layout drawing supplied by VersaCourt
- Anchor to be positioned with hinge parallel with playing surface
- Distance from edge of hole made in playing surface to anchor to be no less than 6" unless indicated on concrete layout drawing supplied by VersaCourt
- Distance from bottom of ground anchor plate to concrete fill to be no less than 1-1/2"

**STEP 1**

Once location of goal has been determined, locate center of ground anchor hole.

**STEP 2**

Dig hole approximately 18" in diameter and 48-50" deep. Use a spade, shovel, auger or post-hole digger. (See Image 1)

**STEP 3**

Locate and unpack ground anchor. **Do not remove plastic plugs or hinge bolt.**

**STEP 4**

Place 2-3 bags of concrete mix into hole; add water and stir. Follow concrete mix manufacturer's instructions for best results.

Image 1

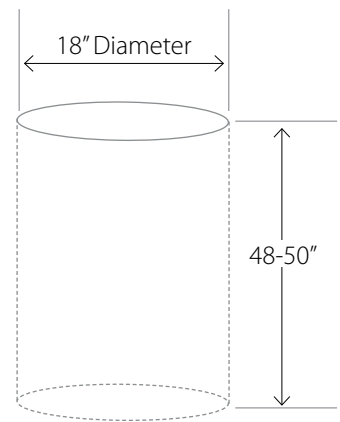
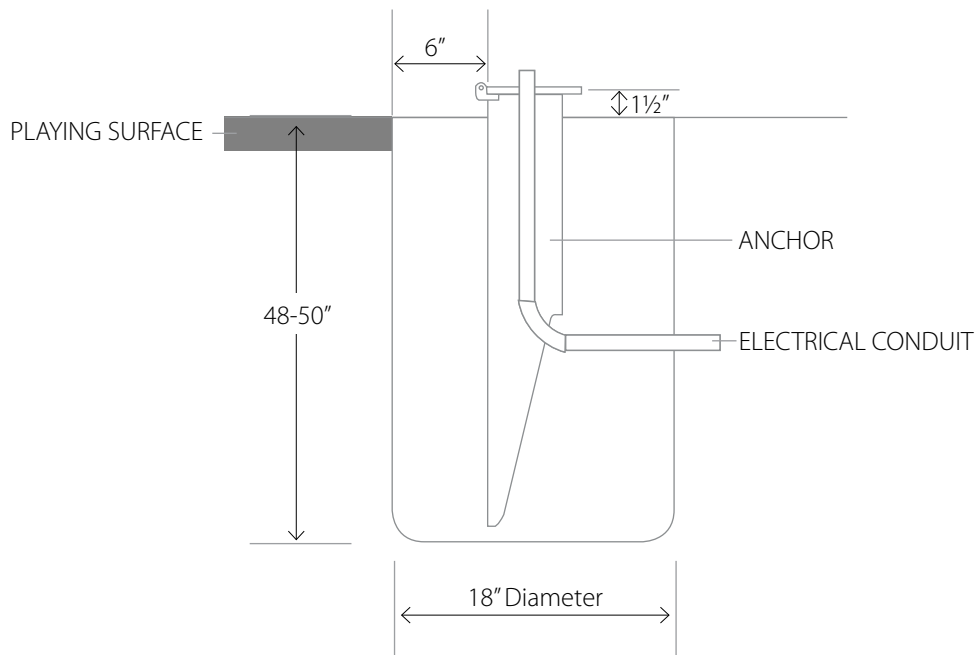


Image 2



**STEP 5**

Install 3/4" PVC electrical conduit so that one end projects beyond the base plate and the other beyond the concrete in the hole. (see Image 2). The conduit should protrude beyond the base plate by 1". Before installing light base pole, caulk around conduit sealing it to the base plate. Caulking should be applied in a manner that will prevent water from running down into the base anchor. A silicone based caulk is recommended.

Be sure to tape both ends of the conduit to keep the concrete out while filling the hole. Typical mounting is to position the anchor in center of hole with hinge side toward and parallel with playing surface. If the hinge cannot be located in this position, because of a fence or other obstruction, turn the hinge location so that the light pole can be raised and lowered unobstructed.

**IMPORTANT: AS HOLE IS FILLED WITH CONCRETE MIX, PERIODICALLY PLACE A LEVEL ON TOP OF ANCHOR PLATE AND CHECK THAT IT IS LEVEL FRONT-TO-BACK AND LEFT TO-RIGHT. ALSO CHECK THAT THE TOP OF ANCHOR IS AT CORRECT HEIGHT.**

**Step 6**

Continue filling hole with concrete mix until it is within 1.5" of anchor plate bottom.

**ASSEMBLING THE LIGHT**

**IMPORTANT: CONCRETE MUST CURE A MINIMUM OF 48 HOURS BEFORE ATTACHING BASE POLE TO LIGHT ANCHOR**

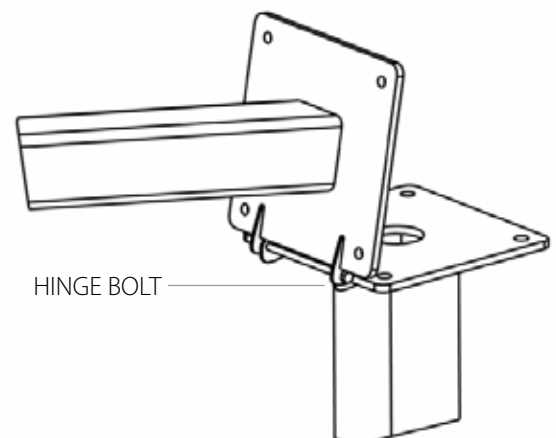
**IMPORTANT: SAFE ASSEMBLY OF THE LIGHT POLE REQUIRES THREE TO FOUR PEOPLE IN GOOD PHYSICAL CONDITION AND CAPABLE OF LIFTING 80-100 LBS EACH.**

**IMPORTANT: LOCATE AND FAMILIARIZE YOURSELF WITH ALL PARTS OF THE LIGHT BEFORE BEGINNING ASSEMBLY.**

**STEP 1**

Attach base pole to anchor at hinge point using the hinge bolt (3/8"-16 x 5") and a 3/8" nut. Use the packaging material the base pole was in to lay the pole on to avoid scratching the finish. (See image 3)

Image 3



### STEP 2

Place a mark 24" from one end of extension pole. The mark represents the minimum amount of the extension pole that must be inside the base pole. Slide the extension pole into the base pole and slide the extension collar over the extension pole. Set the height of the light by extending the inner pole to the desired location and locking the extension collar. Extension collar uses (4) 5/16"-24 x 3/8" set screws to secure it to the extension pole. (See Image 4)

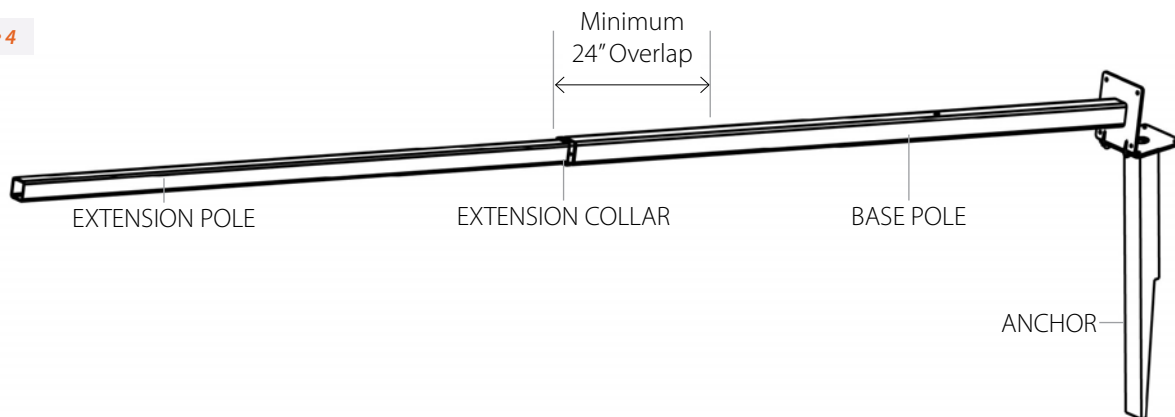
**IMPORTANT: A MINIMUM OF 24" OF THE EXTENSION POLE MUST BE INSIDE THE BASE POLE.**

**HEIGHT OF LIGHT  
MAXIMUM 20'  
MINIMUM: 12'**

**NOTE: THE MAXIMUM LIGHT  
SPREAD WILL BE ACHIEVED  
AT MAXIMUM HEIGHT**

**NOTE: IF THIS LIGHT POLE IS TO BE USED AS PART OF  
AN ADJUSTABLE NET SYSTEM, NOW IS THE TIME TO  
INSTALL THE BRACKETS FOR THE NET SUPPORT SYSTEM.**  
(see instructions included with adjustable net system)

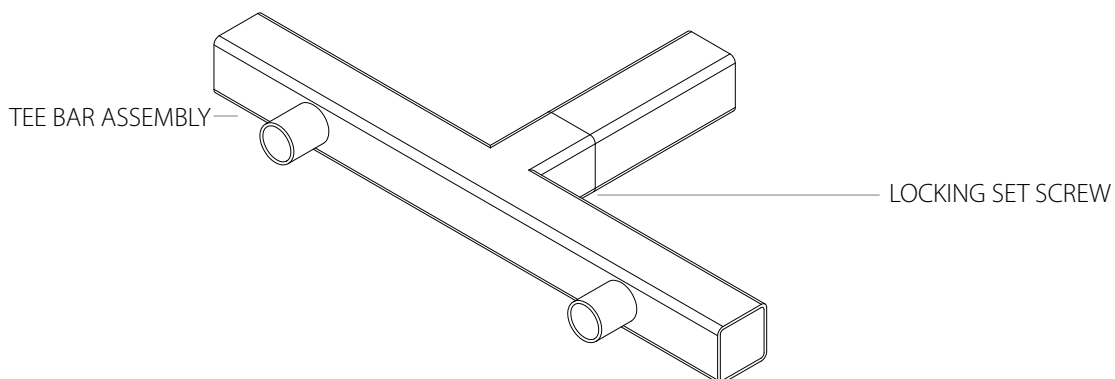
Image 4



### STEP 3

Attach Tee Bar to the extension pole. Lock Tee Bar into place with (2) 3/8"-16 x 1/2" set screws. on pole. (See Image 5)

Image 5

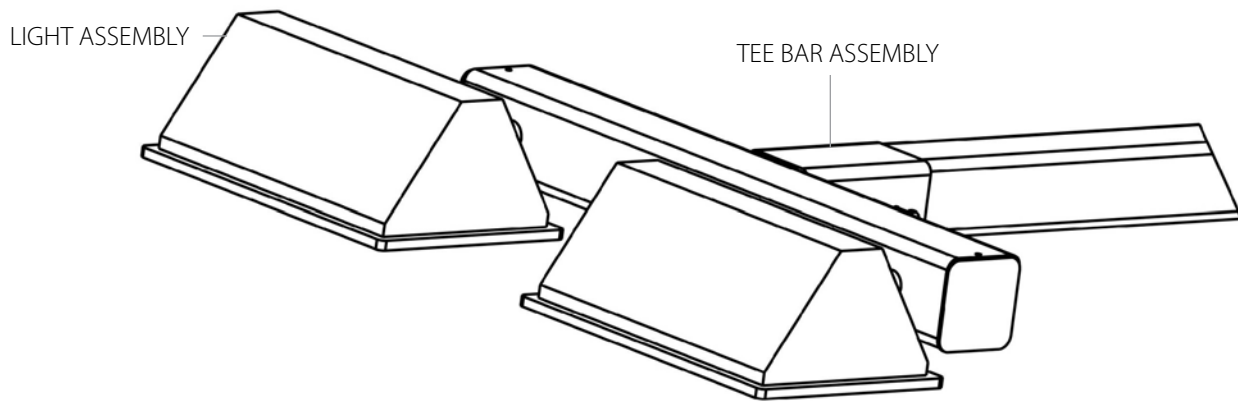


#### STEP 4

Attach the lights to the Tee Bar by sliding the Slipfitter Mount of the lights over the connection points of the Tee Bar and tightening the set screws. Wiring from the light fixtures will enter the tee bar through a hole inside the connection point and directly under the light fixture mount. (See Image 6)

Final directional positioning or aiming of the lights can be completed after the light pole has been hinged to the vertical position.

*Image 6*



#### STEP 5

Run wiring connecting the two lights and down the light pole. If the light switch is to be mounted on the pole do this now and complete all wiring. After wiring is complete install the (2) plastic end caps. Run wires through the conduit in the ground anchor and finish connections to the wires in the light pole.

**NOTE: EACH LAMP CAN OPERATE ON THE FOLLOWING SINGLE PHASE VOLTAGES 100V TO 240V.  
SIZE THE SUPPLY WIRE AND ANY ADDITIONAL COMPONENTS ACCORDINGLY.**

**NOTE: IT IS ADVISABLE TO HAVE A LOCAL LICENSED ELECTRICIAN COMPLETE ALL WIRING.**

**STEP 6**

Stand the light pole upright. Tie a strap to the top of the base pole. With three people pushing and one person pulling on the strap, slowly move the light to the vertical position. While holding in place, install (4) ½"-13 x 1 ½" bolts and (4) ½" lock washers in the base plate and tighten.

**STEP 7**

Aim the lights. With the use of an extension ladder, position the lamps so that they light the playing surface most effectively.

**FOR MORE INFORMATION**

You have now completed the installation process for your VersaCourt LED Light. If you would like to submit a picture of your finished project email photos to [info@versacourt.com](mailto:info@versacourt.com)

If you encounter any issues during your installation process, feel free to call VersaCourt at 800-540-4899 for advice. We thank you for choosing VersaCourt.

This installation manual is provided for informational purposes only to give the consumer basic understanding of the installation process for VersaCourt products. The following procedures are in accordance with VersaCourt LED Light installations. VersaCourt makes no warranty as to, and bears no liability for, the content or use of this installation manual. VersaCourt will not be held liable for any "self-installed" LED Lights. For self-installed LED Lights, owner assumes all responsibility and liability. VersaCourt representatives will, however, remain available for any questions you may have during your installation.